



BY / PAR / PARA



**CYCLO VAC**

**OWNER'S MANUAL**

Please read this document carefully before installing and/or using your vacuum cleaning system.

**MANUEL D'INSTRUCTIONS**

Veuillez lire attentivement ce document avant de procéder à l'installation et/ou l'utilisation de votre système d'aspiration centralisée.

**MANUAL DE INSTRUCCIONES**

Por favor, lea atentamente este documento antes de proceder a la instalación y/o utilización de su sistema de aspiración central.

SERIAL NO / NO DE SERIE: \_\_\_\_\_



# IMPORTANT SAFETY INSTRUCTIONS

---

When using an electrical appliance, basic precautions should always be followed, including the following.

Read all instructions before using this appliance.

**WARNING** – To reduce the risk of fire, electric shock, or injury :

1. Do not leave appliance when plugged in. Unplug from outlet when not in use and before maintenance.
2. Do not use outdoors or on wet surfaces.
3. Do not allow to be used as a toy. Close attention is necessary when used by or near children or infirm persons. This appliance is not intended for use by persons (including children) with reduced physical, sensory or mental capabilities, or lack of experience and knowledge, unless they have been given supervision or instruction concerning the use of the appliance by a person responsible for their safety.
4. Use only as described in this manual.
5. Do not use with damaged cord or plug. If appliance is not working as it should, has been dropped, damaged, left outdoors, or dropped into water, return it to a CycloVac service center.
6. Do not pull or carry by cord, use cord as a handle, close a door on cord, or pull cord around sharp edges or corners. Do not run appliance over cord. Keep cord away from heated surfaces.
7. Do not unplug by pulling on cord. To unplug, grasp the plug, not the cord.
8. Do not handle plug or appliance with wet hands.
9. Do not put any objects into openings. Do not use with any opening blocked; keep free of dust, lint, hair, and anything that may reduce air flow.
10. Keep hair, loose clothing, fingers, and all parts of body away from openings and moving parts.
11. Do not pick up anything that is burning or smoking, such as cigarettes, matches, or hot ashes.
12. Do not use without dust collector in place.
13. Turn off all controls before unplugging.
14. Use extra care when cleaning on stairs.
15. Do not use to pick up flammable or combustible liquids such as gasoline or use in areas where they may be present.
16. Connect to a properly grounded outlet only. See Grounding Instructions.

**KEEP THESE INSTRUCTIONS**



# TABLE OF CONTENTS

---

---

Preface	6
Schematic	6
Unit Installation	7
<b>INSTALLATION</b>	
Dos & Don'ts – Installing conduits	8
Dos & Don'ts – Installing Inlets	9
Muffler Installation	10
Electric Connections	11
Grounding Instructions	12
Low Voltage Connections	13
<b>OPERATING INSTRUCTIONS</b>	
Hose Hook-up & Inlets	14
Progressive Start	15
Automatic Stop	15
Information Center	15
<b>MAINTENANCE</b>	
Carbon Dust Filter	16
Motor	17
<b>TROUBLESHOOTING</b>	
General Information	17
Decrease in suction strength	18
Vacuum will not start	20
Vacuum will not stop	21
<b>WARRANTY INFORMATION</b>	
Limited lifetime warranty	22
WEEE Directive	24

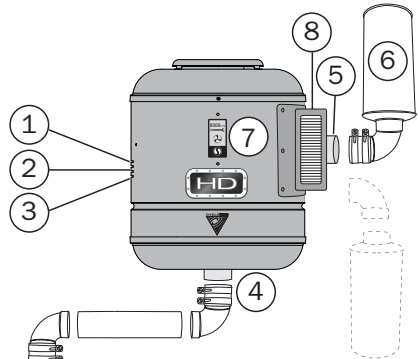
# PREFACE

Your new CycloVac unit was designed and manufactured in Blainville, Quebec, by the largest central vacuum cleaner manufacturer in Canada. With over fifty years of experience in the industry, we provide a high-quality, state-of-the-art product, and guarantee your complete satisfaction. Our extensive network of qualified professionals ensures first quality service near you. Contact us for the location of the CycloVac authorized dealer in your area, or visit our website: [www.cyclovac.com](http://www.cyclovac.com).

# SCHEMATIC

## HD SERIES

1. Circuit breaker
2. Low Voltage Connector & LED
3. Serial Number
4. Air Intake
5. Air Exhaust
6. Muffler (optional)
7. Information Center
8. Carbon dust filter

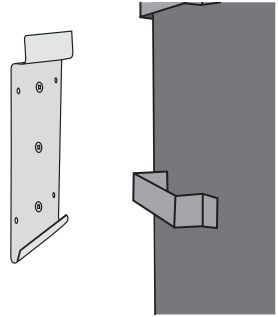


\* Must be connected to a dust collector.



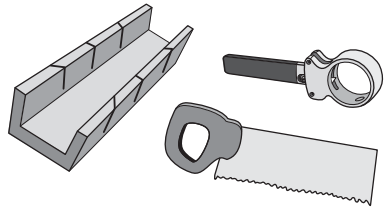
# UNIT INSTALLATION

Using the mounting plate provided with your unit, secure it to the wall (**figure 1**).



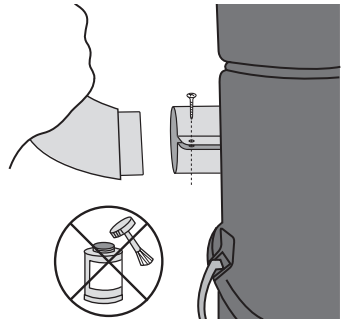
**figure 1**

The connections to the dust collector will require some basic tools: a mitre box and small saw or a pipe cutter (**figure 2**).



**figure 2**

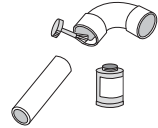
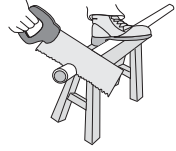
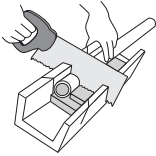
Contrary to all other connections in the piping system (except connection between the dust collector and piping system), **do not glue the last fitting to your unit.** Cyclo Vac units are equipped with an adjustable air intake valve (**figure 3**), which does not require glue. An air-tight fit is obtained with the screw-type adjustment on the fitting itself.



**figure 3**

# DOS & DON'TS

## INSTALLING THE PIPING

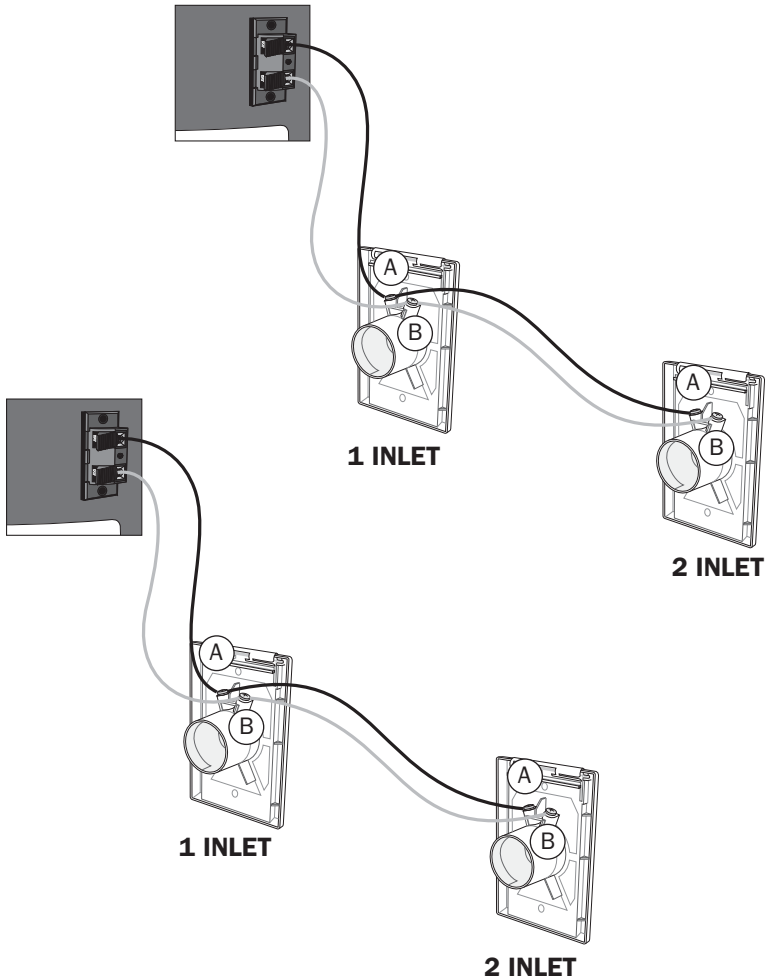




# DOS & DON'TS

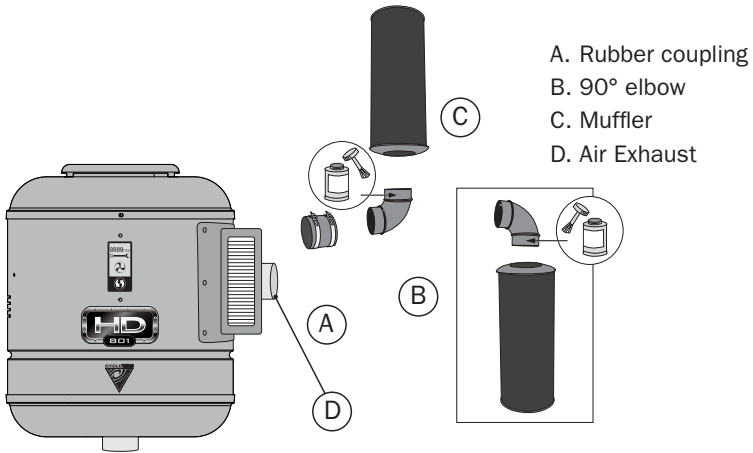
## INSTALLING INLETS

When installing your vacuum inlets, we recommend that the principle of electric polarity be taken into account. Ensure that the wire connected onto contact A on inlet 1 is the same as that connected to contact A on inlet 2, and so on. Do not cross, reverse or interchange wires.



# MUFFLER INSTALLATION

1. Insert the rubber coupling on the vacuum air exhaust.
2. Using a Phillips screwdriver, tighten the clamp collar to ensure adequate sealing.
3. Insert the 90° elbow into the rubber coupling, and tighten the clamp collar as per instructions in step 2.
4. Apply ABS glue to the 90° elbow and insert muffler.



# ELECTRIC CONNECTIONS

---

There should be an electric outlet within 1 meter (3 feet) of your unit. Once the appliance is installed in a suitable location, connect your unit to an electric outlet on a **dedicated\* grounded circuit**. Do not use extension cords or modify the length of your unit power cord.

## **DEDICATED\* GROUNDED CIRCUIT**

- **North America**

120V / models 800 & 801: 15A

- **European continent and other**

220V / 240V models 850 & 851: 10A

Your unit has a thermal safety device / circuit breaker to protect it against any over voltage or electrical defect. If that protection should fail, contact your authorized dealer.

\*Please reserve a circuit breaker dedicated only to the connections for your unit.

***If you find that installing your HD unit is too difficult, ask your service center to install it for you. When in doubt, it is better to have the work done by a professional and ensure that the unit is properly installed. Any installation that does not comply with the specified norms could alter or invalidate the warranty.***

# GROUNDING INSTRUCTIONS

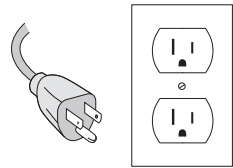
This appliance must be grounded. If it should malfunction or breakdown, grounding provides a path of least resistance for electric current to reduce the risk of electric shock. This appliance is equipped with a cord that has an equipment-grounding conductor and grounding plug. The plug must be inserted into an appropriate outlet that is properly installed and grounded in accordance with all local codes and ordinances. No adaptor should be used with this appliance.

## WARNING

Improper connection of the equipment-grounding conductor can result in a risk of electric shock. Check with a qualified electrician or service person if you are in doubt as to whether the outlet is properly grounded. Do not modify the plug provided with the appliance – if it will not fit the outlet; have a proper outlet installed by a qualified electrician.

### 120V MODELS

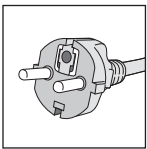
This appliance is for use on a nominal 120V circuit, and has a grounded plug (**figure 4**). Make sure that the appliance is connected to an outlet having the same configuration as the plug. No adaptor should be used with this appliance.



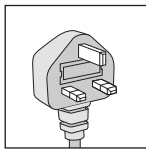
**figure 4**

### 220V/240V MODELS

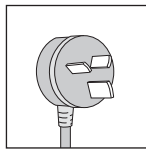
This appliance is for use on a circuit that has a nominal rating of more than 120V and that is factory-equipped with a specific cord and plug to permit connection to a proper electric circuit. Make sure that the appliance is connected to an outlet having the same configuration as the plug. No adaptor should be used with this appliance. If the appliance must be reconnected for use on a different type of electric circuit, the reconnections should be done by a qualified service personnel.



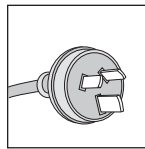
**Type C**



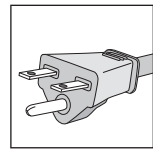
**Type G**



**Type H**



**Type I**



**Nema 6-15 R**

# LOW VOLTAGE CONNECTIONS

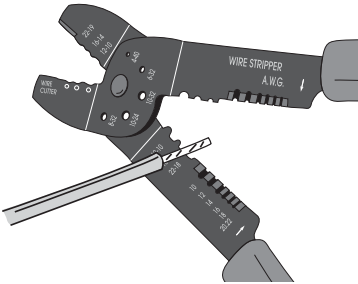
Connect the low voltage wires to the low voltage connectors on your unit.

To do so:

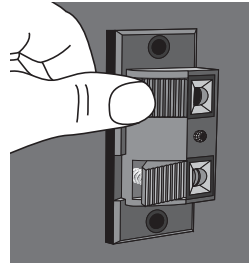
1. Strip wires over 1 cm (½ inch) (**figure 5**).
2. Gently press on the toggle to open the connector (**figure 6**).
3. Insert stripped wire (**figure 7**).
4. Release toggle to secure wire in connector (**figure 8**).
5. Repeat for second wire.

To disconnect:

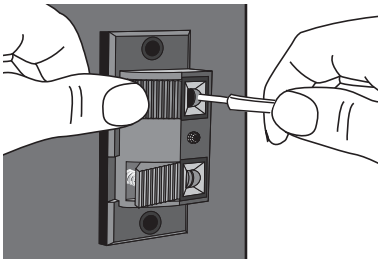
1. Gently press on the toggle to open the connector.
2. Remove low voltage wire from connector.



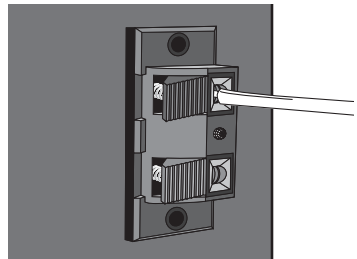
**figure 5**



**figure 6**



**figure 7**



**figure 8**

# HOSE HOOK-UP & INLETS

## Before operating your HD unit...

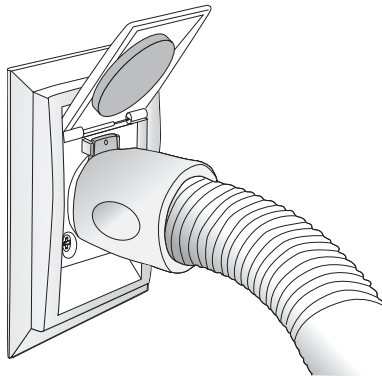
Please verify that your unit is properly connected to the dust collector, and that the collector is correctly connected to the piping system. Also verify that the unit is properly connected to a grounded electrical outlet and that the low voltage wires are connected to the unit. Then, read the complete owner's manual and proceed with a quick verification of your unit's installation:

- Check dust collector to make sure it is properly installed and not damaged.
- Check rubber seals in each vacuum inlet.

To start your unit, simply insert the hose in the vacuum inlet of your choice. Please ensure that the tab on the hose end is properly lined up with the slot in the inlet opening (**figure 9**). If your hose handle has an integrated on/off switch, simply slide the switch to the "on" position.

***Do not try to open another inlet while your system is in operation, as it may damage the inlet's rubber seal.***

- While the hose is still plugged into one inlet and the system is operational, check other inlets for leaks.
- Plug the hose alternatively into each vacuum inlet, to ensure that each one works properly.



**figure 9**

# PROGRESSIVE START

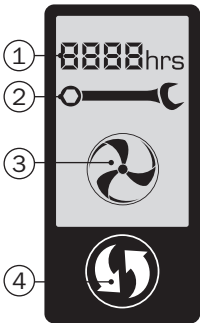
Your HD unit is equipped with a special module allowing for a smooth and gradual start-up of the vacuum system, to prolong motor durability.

# AUTOMATIC STOP

In case you've forgotten to turn off your unit, or it's been turned on by mistake, it will automatically shut off after one hour of uninterrupted use.

# INFORMATION CENTER

Your unit is equipped with an electronic timing device that will recommend proper maintenance of your HD unit. This signal is only a suggestion and do not indicate a problem with your unit. It will not stop or hinder the use of the system.



- ① **Timer** – indicates hours the unit has been operated
- ② **Flashing wrench** – maintenance of the power unit is required in the next 200 hours of use.
- ③ **Turbine** – Without movement – unit is connected to a power source  
Movement – unit is turned on - operating
- ④ **Reset** – to stop the flashing icons, press the reset button for one second.

## DEMO MODE

Demo mode: to initiate a demonstration of the information center on the power unit, press the reset button ④ for 5 seconds. To stop the demonstration, simply press the reset button ④.

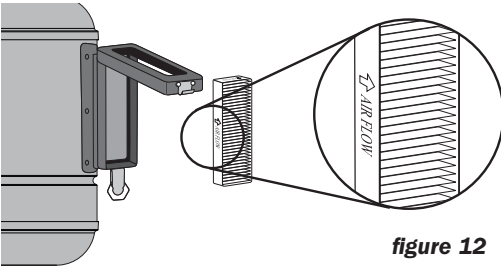
# CARBON DUST FILTER

(PATENTED)

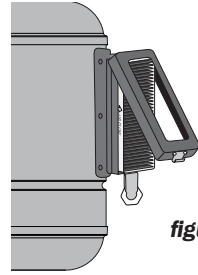
We recommend that you change the carbon dust filter after 45 hours of use.

To change the filter:

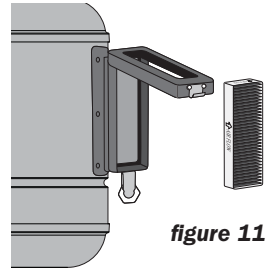
1. Unlatch the opening on the carbon filter case and gently flip it upward (**figure 10**).
2. Remove the used filter, and discard (**figure 11**).
3. Insert the new filter. When doing so, please ensure that the arrow printed on the filter itself points outwards. (**figure 12**).
4. Close casing opening, and latch.



**figure 12**



**figure 10**



**figure 11**

Part number : **TDFILHEC2**



Please note that **CycloVac motors do not require lubrication**. Each motor contains two carbon brushes that will wear normally, and may eventually require replacement. For warranty purposes, replacement should be done by an authorized dealer. Brush life is affected by hours of use, frequency of start-ups and shut-downs, humidity, altitude, and temperature. In order to avoid damage to the unit's motor, brushes should be replaced before they are completely worn-out. We therefore recommend that you have your unit and motors inspected by an authorized dealer every 5-6 years.

## GENERAL INFORMATION

---

---

If the unit does not work, check the fuse or breaker on the unit and/or in the electrical panel of your home, and replace any defective part(s) as deemed necessary. Please verify that the unit has been installed properly, according to the instructions in this manual.

Your vacuum cleaning system is designed to collect everyday dry matter (dust). It is approved by authorized testing agencies for dry use only. Do not use on wet surfaces.

We strongly recommend against vacuuming abrasive materials such as cement, plaster and gyproc dust. This fine dust could work its way into the motor, causing considerable damage. Should you do so inadvertently, contact your authorized service center to determine the extent of the damage to the unit.

***Remember that in order for your warranty to remain valid, maintenance of the motor and repairs to the unit itself must be carried out by an authorized service center, using original CycloVac or Trovac parts.***

# TROUBLESHOOTING

<b>PROBLEM</b>	<b>POSSIBLE CAUSE</b>	<b>CORRECTIVE ACTION</b>
<b>Decrease in suction strength</b>	Open vacuum inlet	Close all vacuum inlets not in use.
	Exhaust line is clogged	Verify that no object is blocking the exhaust.
	Blocked hose	Plug the handle end of the hose into the suction inlet, thus reversing the suction in the hose. Cover the gap around the handle, to ensure suitable suction strength, and ensure contact with inlet contacts to start the unit. This should clear the hose

# TROUBLESHOOTING

PROBLEM	POSSIBLE CAUSE	CORRECTIVE ACTION
<b>Decrease in suction strength (cont.)</b>	Obstruction in the piping system	Remove the screw from the HD unit air intake connector to free it from the dust collector and piping system. Start the unit by plugging the hose into a vacuum inlet. By placing your extended hand over the air intake opening on the unit, check the suction strength on the unit itself. Then, repeat the same steps, but by disconnecting the dust collector from the piping system (make sure the collector is connected to the unit). If the collector and unit suction strength is normal, the obstruction is in the piping system. If suction strength is diminished or completely absent, have the unit or collector checked by an authorized service center.

**If none of these suggestions restore suction strength, contact your authorized service center.**

# TROUBLESHOOTING

PROBLEM	POSSIBLE CAUSE	CORRECTIVE ACTION
<b>Vacuum will not start</b>	The electrical power is not connected properly	Ensure that the power cord is plugged into a dedicated grounded electrical outlet, according to specifications on page 12.
	Low voltage wire is not connected properly	Verify the low voltage wires, make sure they are properly inserted into the low voltage connectors, as per instructions on page 13.
	Faulty vacuum inlet	Start the HD unit from other inlets in your home, to identify the defective inlet.
	Unit circuit breaker is off	Press the reset button to reset the unit circuit breaker. If unit restarts and automatically shuts off shortly after, contact an authorized service center.
	In-house circuit breaker is off	Reset the circuit breaker in your electrical panel. Verify that your central vacuum unit is connected on a dedicated grounded circuit (see page 12).
	Defective on/off hose	Turn the hose ¼ turn in the vacuum inlet. If unit starts, have the vacuum hose checked by a certified service center.

**If none of these suggestions help start your HD unit, contact your authorized service center.**

# TROUBLESHOOTING

<b>PROBLEM</b>	<b>POSSIBLE CAUSE</b>	<b>CORRECTIVE ACTION</b>
<b>Vacuum will not stop</b>	Hose improperly inserted into vacuum inlet	Ensure that the hose end is properly placed in the vacuum inlet: the tab on the hose should fit into the slots of the inlet, to ensure adequate contacts for the hose switch to function.
	Defective on/off hose	If the hose is properly placed in the vacuum inlet, and the unit continues running despite the fact that the hose switch is in the “off” position, have the hose checked by a service center.
	Low voltage wire is not connected properly	While unit is on, unplug low voltage wires from unit. If vacuum stops, there’s a faulty low voltage wire. Contact your installer or authorized service center.

**If in spite of these suggestions, your unit is still not stopping, contact your authorized service center.**

# WARRANTY INFORMATION

## **LIMITED LIFETIME WARRANTY**

Your CycloVac HD unit is protected by a lifetime warranty. We guarantee that the unit body will be exempt of any material or manufacturing defect. This warranty is valid from the date of purchase, for as long as you are the original owner, and the system remains at its original place of installation.

The motors and electrical components are entirely guaranteed for a period of 950 hours of use. Our authorized service center will repair or replace (at CycloVac's discretion) the defective part or parts, free of labor costs, for a period of 1 year.

### **Cyclo Vac Warranty Motors and Electrical Components**

<b>MODEL</b>	<b>PARTS</b>	<b>LABOR</b>
HD Series	950 hours	1 year

In order to maintain your warranty, all repairs must be made by an authorized Cyclo Vac service center, with original Cyclo Vac or Trovac parts. Failure to do so could void the warranty.

This warranty excludes normal wear and tear of certain parts, damages caused (according to Cyclo Vac) by abusive use (ex. : drywall dust, water, etc.), lack of appropriate maintenance, inadequate installation, negligence, natural disasters, accidents, and acts of God.

# WARRANTY INFORMATION

---

---

This warranty is not a modification but an addition to warranties required by law. ***Any claim relative to this warranty must be accompanied by the original invoice.*** Any changes or modifications made to the product may invalidate this warranty. Transportation and service calls are excluded . This warranty is non transferable.

Keep all payment records (bill of sale, delivery slip). The date on these records establishes the warranty period. Should warranty service be required, you must show proof of purchase. If proof of purchase cannot be supplied, the warranty period will be determined from the date of manufacture of the product.

CycloVac shall not be held responsible for any consequential, incidental, or special damages arising from the use of the central vacuum.

***WARRANTY TERMS MAY VARY DEPENDING ON COUNTRY.***

# WEEE DIRECTIVE

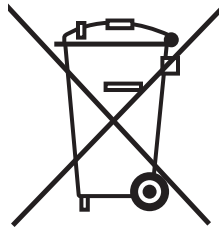
## **IMPORTANT ENVIRONMENTAL INFORMATION – EUROPEAN ECONOMIC AREA ONLY**

This appliance has been assessed in accordance with the European Parliament Directive on Waste Electrical and Electronic Equipment, usually referred to as the WEEE Directive.

The WEEE Directive requires that the appliance be disposed of at the end of its useful life in an environmentally responsible manner. Parts and materials should be re-used or re-cycled in order that the use of new resources and amount of waste going for landfill can be minimised.

The WEEE Directive stipulates that the supplier should collect the used item without cost to you. Please inform the supplier of your wish to have the old appliance collected when ordering the replacement.

If you wish to dispose of the appliance yourself, do not mix it with unsorted municipal waste. The crossed-out wheeled bin symbol on the unit label (**figure 22**) indicates this requirement. You must ensure that the appliance is disposed of at an authorised treatment facility. Details can be obtained from your local council.



**figure 22**





PAR



**CYCLO VAC**

**MANUEL D'INSTRUCTIONS**

Veillez lire attentivement ce document avant de procéder à l'installation et/ou l'utilisation de votre système d'aspiration centralisée commercial.

NO DE SERIE : \_\_\_\_\_



# IMPORTANTES MESURES DE SÉCURITÉ

---

L'utilisation d'un appareil électrique nécessite certaines précautions.  
Lire toutes les instructions avant de faire fonctionner cet appareil.

## AVERTISSEMENT

Pour réduire les risques d'incendie, de choc électrique ou de blessure :

1. Ne pas laisser l'appareil sans surveillance lorsqu'il est branché. Débrancher l'appareil lorsqu'il n'est pas utilisé et avant son entretien.
2. Ne pas utiliser à l'extérieur et ne pas aspirer de déchets humides.
3. Cet appareil n'est pas destiné à l'usage des enfants ou de toute personne atteinte d'incapacité physique, sensorielle, motrice ou intellectuelle, ou encore de personnes ne possédant pas les connaissances et/ou l'expérience pertinente à son utilisation, à moins que celles-ci n'aient reçu les instructions nécessaires concernant l'utilisation de l'appareil ou qu'elles demeurent sous la supervision immédiate d'une personne responsable de leur sécurité.
4. N'utiliser que conformément à cette notice.
5. Ne pas utiliser si le cordon ou la fiche est endommagé. Retourner l'appareil au centre de service CycloVac s'il ne fonctionne pas bien, s'il est tombé, s'il a été endommagé, oublié à l'extérieur ou immergé.
6. Ne pas tirer, soulever, ni traîner l'appareil par le cordon. Ne pas utiliser le cordon comme une poignée, le coincer dans l'embrasure d'une porte ou l'appuyer contre des arêtes vives ou des coins. Ne pas faire rouler l'appareil sur le cordon. Garder le cordon à l'écart des surfaces chaudes.
7. Ne pas débrancher en tirant sur le cordon. Tirer plutôt sur la fiche.
8. Ne pas toucher la fiche ou l'appareil lorsque vos mains sont humides.
9. N'insérer aucun objet dans les ouvertures. Ne pas utiliser l'appareil lorsqu'une ouverture est bloquée.
10. Maintenir les cheveux, les vêtements amples, les doigts et toutes les parties du corps à l'écart des ouvertures et des pièces mobiles.
11. Ne pas aspirer de matières en combustion ou qui dégagent de la fumée, comme des cigarettes, des allumettes ou des cendres chaudes.
12. Ne pas utiliser l'appareil si le récupérateur à poussière n'est pas en place.
13. Mettre toutes les commandes à la position ARRÊT avant de débrancher l'appareil.
14. User de prudence lors du nettoyage des escaliers.
15. Ne pas aspirer des liquides inflammables ou combustibles, comme de l'essence, et ne pas faire fonctionner dans des endroits où peuvent se trouver de tels liquides.
16. Ne brancher qu'à une prise de courant avec mise à la terre. Voir les instructions visant la mise à la terre.



# TABLE DES MATIÈRES

Préface	6
Schématique	6
<b>INSTALLATION</b>	
Installation de l'appareil	7
Trucs et astuces – Installation de la tuyauterie	8
Trucs et astuces – Installation des prises	9
Installation du silencieux	10
Connexions électriques	11
Mise à la terre	12
Connexions bas voltage	13
<b>UTILISATION</b>	
Mise en marche	14
Démarrage progressif	15
Arrêt automatique	15
Centre d'information	15
<b>ENTRETIEN</b>	
Filtre à poussière de carbone	16
Moteur	17
<b>DÉPANNAGE</b>	
Informations générales	17
Diminution de la force d'aspiration	18
L'appareil ne démarre pas	20
L'appareil ne s'arrête pas	21
<b>GARANTIE</b>	
Garantie à vie – limité	22
Directive DEEE	24

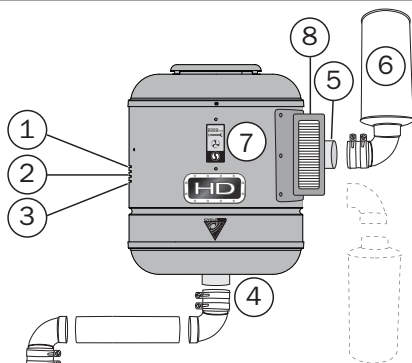
# PRÉFACE

Votre nouvel appareil Cyclo Vac a été conçu et fabriqué à Blainville, au Québec par le plus grand manufacturier d'aspirateurs centralisés au Canada. Nous tenons à vous remercier de la confiance que vous nous accordez. Nos 50 ans d'expérience dans le domaine nous permettent de vous offrir un produit de haute qualité, à la fine pointe de la technologie et la garantie d'une entière satisfaction. Grâce à un réseau de professionnels possédant toutes les qualifications nécessaires pour bien vous servir, nous demeurons près de vous où que vous soyez. N'hésitez pas à nous contacter ou à visiter notre site Internet ([www.cyclovac.com](http://www.cyclovac.com)) pour connaître le marchand autorisé de votre région.

## SCHÉMATIQUE

### SÉRIE HD

1. Remise en Circuit
2. Connecteur bas voltage avec DEL
3. Numéro de série
4. Entrée d'air
5. Sortie d'air
6. Silencieux (en option)
7. Centre d'information
8. Filtre à poussière de carbone



\* L'appareil doit être connecté à un récupérateur à poussière



# INSTALLATION DE L'APPAREIL

À l'aide de la plaque de montage fournie avec votre appareil, fixer votre unité au mur. **(figure 1).**

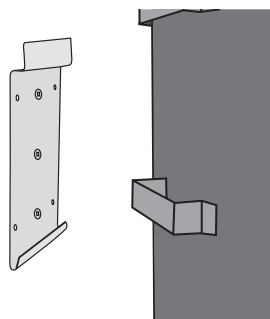


figure 1

Les connexions au récupérateur à poussière ne requièrent qu'un outillage de base : une boîte à onglets et une petite scie ou un coupe-conduits **(figure 2).**

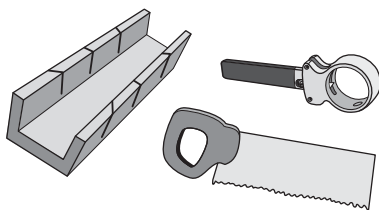


figure 2

Contrairement à tous les autres joints de tuyauterie (sauf celui entre le récupérateur et la tuyauterie), **ne pas coller en permanence le raccord entre votre unité et le récupérateur.** Les appareils CycloVac sont munis d'un raccord d'entrée d'air ajustable **(figure 3)**, assurant ainsi l'étanchéité requise au bon fonctionnement de l'appareil.

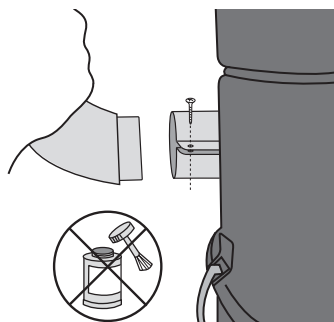
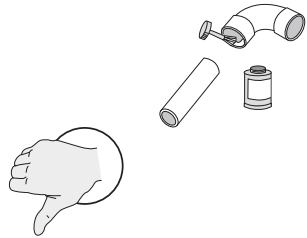
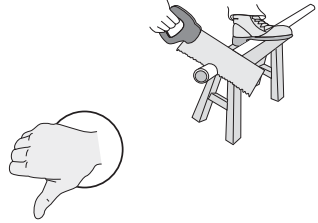
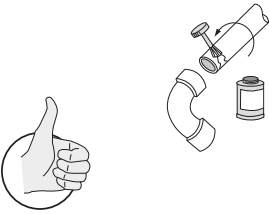
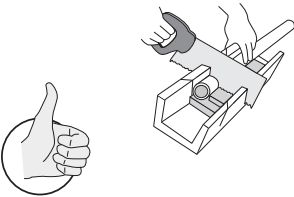


figure 3

# TRUCS ET ASTUCES

## INSTALLATION DE LA TUYAUTERIE

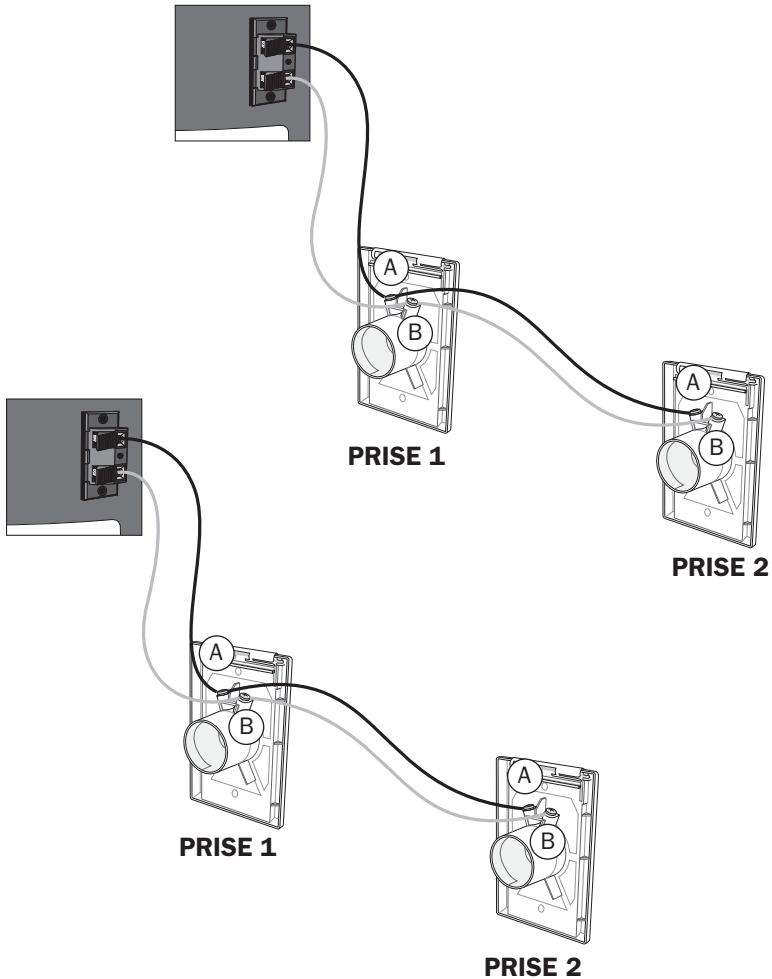




# TRUCS ET ASTUCES

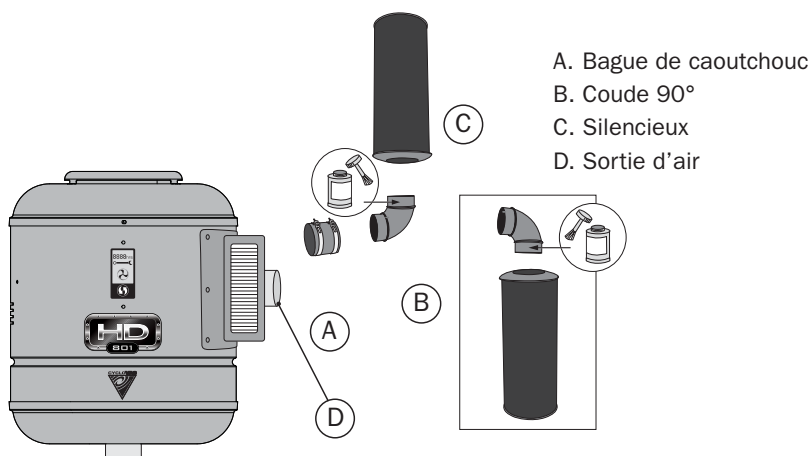
## INSTALLATION DES PRISES

Nous vous recommandons de respecter le principe de la polarité électrique lors de l'installation des prises murales. Vérifier que le fil connecté à la borne A de la prise 1 est le même qui est connecté à la borne A de la prise 2, et ainsi de suite. Ne pas inverser les fils.



# INSTALLATION DU SILENCIEUX

1. Insérer la bague de caoutchouc sur la sortie d'air de l'appareil.
2. À l'aide d'un tournevis Phillips (étoile), fixer le collier de serrage sur la bague de caoutchouc, pour assurer l'étanchéité.
3. Insérer le coude 90° dans la bague de caoutchouc, et fixer le collier de serrage tel qu'indiqué à l'étape 2.
4. Appliquer de la colle ABS au coude 90° et insérer le silencieux.



Colle non incluse.

# CONNEXIONS ÉLECTRIQUES

Vous devrez prévoir une prise électrique à tout au plus 1 mètre (3 pieds) de votre appareil. Une fois l'appareil installé dans un endroit propice, branchez-le à une prise électrique sur un **circuit électrique dédié\* avec mise à la terre** (ground). Ne pas utiliser une rallonge électrique, ni modifier la longueur du cordon électrique de votre appareil.

## **CIRCUIT ÉLECTRIQUE DÉDIÉ\* AVEC MISE À LA TERRE**

- **Amérique du Nord**  
120V / modèles 800 et 801 : 15A
- **Continent Européen et autre**  
220V / 240V modèles 850 et 851 : 10A

Votre appareil comporte une protection thermique ou un disjoncteur contre tout survoltage ou défectuosité électrique. Si ce dernier fait défaut, veuillez contacter votre marchand autorisé.

\* Veuillez prévoir un disjoncteur réservé uniquement pour le branchement de votre appareil commercial.

***Si vous jugez que l'installation de votre appareil est trop ardue, demandez à votre marchand autorisé d'en faire l'installation. Dans l'incertitude, il vaut mieux avoir recours aux services d'un professionnel et s'assurer d'une installation adéquate, puisqu'une installation non conforme aux normes spécifiées pourrait modifier ou annuler la garantie.***

# MISE À LA TERRE

Cet appareil doit être mis à la terre. En cas de défaillance ou de panne, la mise à la terre fournit au courant un chemin de moindre résistance qui réduit le risque de choc électrique. Cet appareil est pourvu d'un cordon muni d'un conducteur de terre et d'une fiche avec broche de terre. La fiche doit être branchée dans une prise appropriée, correctement installée et mise à la terre conformément aux règlements et aux ordonnances locales. Aucun adaptateur ne doit être utilisé avec cet appareil.

## AVERTISSEMENT

Un conducteur de terre mal raccordé peut entraîner un risque de choc électrique. Consulter un électricien ou un technicien d'entretien qualifié si vous n'êtes pas certain que la prise est correctement mise à la terre. Ne pas modifier la fiche fournie avec l'appareil – si elle ne peut être insérée dans la prise, faire installer une prise adéquate par un électricien qualifié.

### **MODÈLES 120V**

Cet appareil est destiné à un circuit de 120V et est muni d'une fiche de mise à la terre (**figure 4**). S'assurer que l'appareil est branché à une prise de courant ayant la même configuration que la fiche. Aucun adaptateur ne doit être utilisé avec cet appareil.

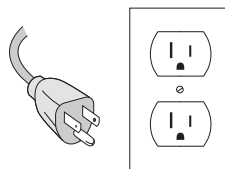
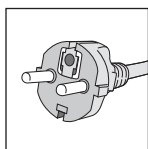


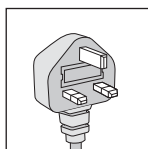
figure 4

### **MODÈLES 220V/240V**

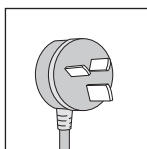
Cet appareil est destiné à un circuit de plus de 120V, et a été pourvu, en usine, d'un cordon et d'une fiche spécifiques permettant de le brancher à un circuit électrique adéquat. S'assurer que l'appareil est branché à une prise de courant de même configuration que la fiche. Aucun adaptateur ne devrait être utilisé avec cet appareil. S'il est nécessaire de modifier les connexions de l'appareil pour l'adapter à une alimentation électrique d'un autre type, la modification devrait être effectuée par un technicien d'entretien qualifié.



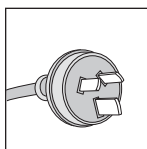
Type C



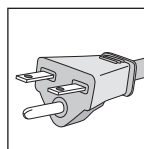
Type G



Type H



Type I



Nema 6-15 R

# CONNEXIONS BAS VOLTAGE

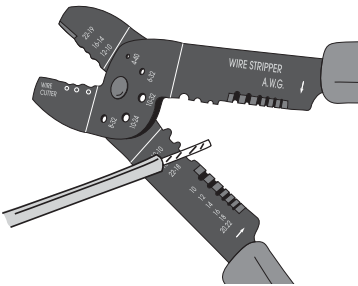
Raccorder les fils de bas voltage aux bornes de votre appareil.

Pour ce faire:

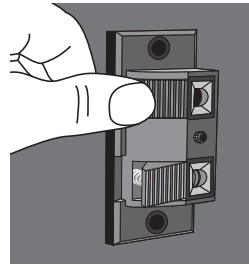
1. Dénuder les fils sur une longueur de 0,5 cm ( $\frac{1}{2}$ " ) (**figure 5**),
2. Appuyer doucement sur le bouton presseur pour ouvrir la borne (**figure 6**).
3. Insérer le fil dénudé (**figure 7**).
4. Relâcher le bouton presseur pour fixer le fil dans la borne (**figure 8**).
5. Répéter pour la deuxième borne.

Pour déconnecter:

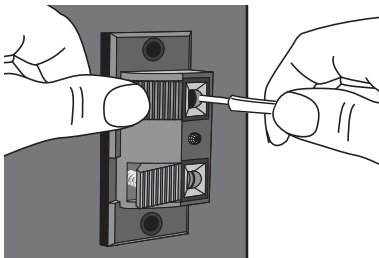
1. Appuyer doucement sur le bouton presseur pour ouvrir la borne.
2. Retirer le fil pas voltage de la borne.



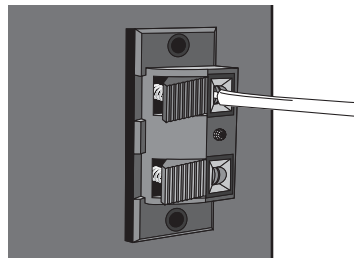
**figure 5**



**figure 6**



**figure 7**



**figure 8**

# MISE EN MARCHÉ

## **Avant d'utiliser votre aspirateur commercial :**

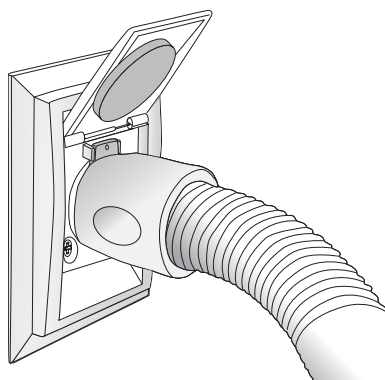
Veillez vérifier que l'appareil est bien connecté au récupérateur à poussière, et que celui-ci est connecté au réseau de tuyauterie. Vérifiez aussi que l'appareil soit connecté à une prise électrique avec mise à la terre, et que les fils de bas voltage sont bien insérés au connecteur. Nous vous conseillons de lire le manuel d'instructions au complet et de procéder à la vérification de l'installation :

- S'assurer que le récupérateur à poussière est installé convenablement.
- Vérifier les joints d'étanchéité de chaque prise d'aspiration.

Brancher le boyau flexible dans une prise d'aspiration. Veuillez vous assurer que l'onglet sur le boyau est bien aligné entre les coches de la prise d'aspiration (**figure 9**). Si votre boyau est muni d'un interrupteur, simplement le mettre en circuit.

***Ne pas tenter d'ouvrir une autre prise d'aspiration lorsque l'appareil est en fonction. Cette manœuvre pourrait endommager le joint d'étanchéité de la prise.***

- Pendant que le boyau flexible est branché dans une prise et que le système fonctionne, vérifier les autres prises pour vous assurer de leur étanchéité.
- Brancher le boyau flexible dans chacune des prises alternativement, pour en assurer le bon fonctionnement.



**figure 9**

# DÉMARRAGE PROGRESSIF

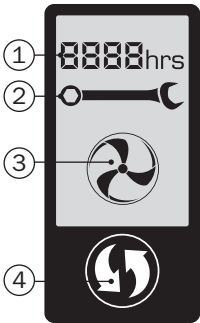
Cet appareil est muni d'un module électronique permettant le démarrage progressif de l'appareil, ce qui augmente la durabilité du moteur.

## ARRÊT AUTOMATIQUE

Si l'appareil est demeuré en marche par oubli, ou s'il a été mis en marche par erreur, l'appareil arrêtera de lui-même après une heure d'utilisation ininterrompue. Simplement redémarrer l'appareil à l'aide de l'interrupteur sur le boyau.

## CENTRE D'INFORMATION

L'appareil est muni d'une minuterie électronique qui vous suggérera un guide d'entretien de votre appareil. Cette indication vous est fournie à titre de renseignement seulement et n'indique pas un problème avec l'appareil. Votre appareil fonctionnera normalement malgré le clignotant.



- ① **Heures de fonctionnement** de l'appareil
- ② **Clé anglaise clignotante** – faire effectuer l'entretien de l'appareil d'ici les prochaines 200 heures d'utilisation
- ③ **Turbine** – Sans mouvement – l'appareil est sous tension  
Mouvement – l'appareil est en fonction
- ④ **Réinitialisation** – Pour arrêter le clignotement, appuyer sur le bouton de réinitialisation pendant une seconde.

### **RÉINITIALISATION (Mode DÉMO)**

Mode démo : Pour accéder au mode démo du Centre d'Information de l'appareil, appuyer sur le bouton de réinitialisation ④ pendant 5 secondes. Pour quitter le mode démo, simplement appuyer sur le bouton de réinitialisation ④.

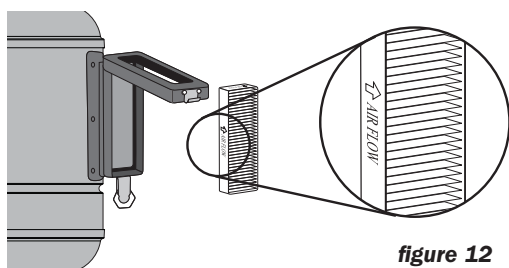
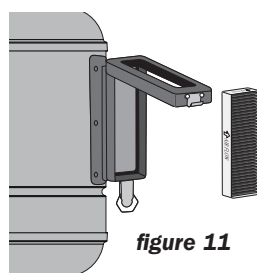
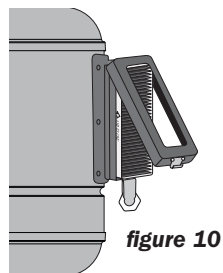
# FILTRE À POUSSIÈRE DE CARBONE

(BREVETÉ)

Nous recommandons le changement du filtre à poussière de carbone après 45 heures d'utilisation de l'appareil.

Pour changer le filtre :

1. Défaire l'attache au dessous du boîtier du filtre de carbone, et soulever le couvercle (**figure 10**).
2. Retirer le filtre usagé, et le jeter (**figure 11**).
3. Insérer le nouveau filtre. S'assurer que la flèche imprimée sur le filtre pointe vers l'extérieur (**figure 12**).
4. Refermer le couvercle du boîtier et l'attache.



No de pièce : **TDFILHEC2**



Veillez noter que **les moteurs CycloVac ne requièrent aucune lubrification**. Chaque moteur est muni de deux brosses de carbone (charbons) qui s'useront normalement et qui pourraient éventuellement nécessiter un remplacement. Pour maintenir votre garantie, ce travail devra être effectué par un marchand autorisé. La durabilité des brosses (charbons) dépend de plusieurs facteurs dont : la fréquence des arrêts/départs, l'humidité, l'altitude et la température ambiante. Les brosses de carbone (charbon) doivent être remplacées avant que l'usure avancée puisse endommager le moteur lui-même. Nous vous suggérons de faire inspecter votre appareil par un marchand autorisé tous les 5 à 6 ans.

## INFORMATIONS GÉNÉRALES

---

Si votre appareil HD ne fonctionne pas, vérifier le fusible ou le disjoncteur sur l'appareil et/ou dans la boîte électrique de votre demeure. Si nécessaire, remplacer l'élément défectueux. S'assurer que l'appareil a été installé adéquatement, selon les directives du manuel d'instructions.

Votre système commercial est conçu pour ramasser les matières sèches (poussière) de tous les jours. Il est approuvé par les agences de certification pour un usage à sec seulement. Ne pas utiliser sur des surfaces mouillées.

Il est fortement déconseillé d'aspirer des matières abrasives (poussière de plâtre, ciment...). Celles-ci peuvent s'infiltrer jusqu'au moteur et éventuellement l'endommager. Si vous deviez le faire par mégarde, contactez votre marchand autorisé afin de vérifier l'étendue des dommages.

**Veillez noter que pour le maintien de votre garantie, toute réparation ou entretien du moteur ou de l'appareil doit être effectué par un marchand autorisé, avec des pièces d'origine CycloVac ou Trovac.**

# DÉPANNAGE

<b>PROBLÈME</b>	<b>CAUSE POSSIBLE</b>	<b>ACTION CORRECTIVE</b>
<b>Diminution de la force d'aspiration.</b>	Une prise d'aspiration est ouverte.	Fermer toutes les prises d'aspiration non-utilisées.
	La sortie d'air est obstruée.	Vérifier la sortie d'air (le silencieux) pour vous assurer qu'elle est bien dégagée.
	Le boyau flexible est obstrué.	Insérer l'embout de la poignée dans la prise d'aspiration pour renverser la succion dans le boyau. Bien couvrir l'ouverture autour de l'embout, pour assurer une étanchéité convenable, et veiller à ce que l'embout touche les contacts de la prise pour démarrer l'appareil et ainsi dégager le boyau.

## DÉPANNAGE

PROBLÈME	CAUSE POSSIBLE	ACTION CORRECTIVE
<b>Diminution de la force d'aspiration. (suite)</b>	Obstruction du système de conduits.	Retirer la vis à l'entrée d'air de l'appareil HD afin de le déconnecter du récupérateur à poussière et du système de tuyauterie. Démarrer l'appareil en branchant votre boyau à une prise d'aspiration. En plaçant votre main tendue sur l'ouverture d'entrée d'air de l'appareil, vérifier la force d'aspiration de l'appareil même. Puis, répétez ces étapes, cette fois-ci en déconnectant plutôt le récupérateur du système de conduits (toutefois, assurez-vous que le récupérateur est reconnecté à l'unité). Si la force d'aspiration est normale à l'unité et au récupérateur, l'obstruction est située quelque part dans les conduits. Si elle est diminuée ou inexistante, faites vérifier l'appareil par un centre de service autorisé.

**Si aucune de ces mesures ne restaure la force d'aspiration, veuillez contacter votre centre de service.**

# DÉPANNAGE

PROBLÈME	CAUSE POSSIBLE	ACTION CORRECTIVE
<b>L'appareil ne démarre pas.</b>	La connexion électrique est fautive.	Veillez vous assurer que le cordon électrique est branché à une prise avec mise à la terre, sur un circuit dédié selon les directives à la page 12.
	La connexion bas voltage est fautive.	Vérifier que les fils bas voltage sont bien insérés dans les bornes, selon les directives à la page 13.
	Une prise d'aspiration est défectueuse.	Faire fonctionner l'appareil sur les autres prises de la maison, pour identifier la prise fautive.
	Le disjoncteur de l'appareil est ouvert.	Appuyer sur le bouton de remise en circuit. Si l'appareil redémarre, mais s'arrête automatiquement, communiquer avec votre centre de service.
	Le disjoncteur de votre résidence est ouvert.	Remettre le disjoncteur en circuit. Vérifier que l'appareil est bien branché sur un circuit avec mise à la terre, selon les directives à la page 12.
	Le boyau interrupteur est défectueux.	Tourner le boyau de $\frac{1}{4}$ de tour dans la prise d'aspiration. Si l'appareil démarre, faire vérifier le boyau par un centre de service autorisé.

**Si aucune de ces mesures ne fait démarrer votre appareil, veuillez contacter votre centre de service.**

# DÉPANNAGE

PROBLÈME	CAUSE POSSIBLE	ACTION CORRECTIVE
<b>L'appareil ne s'arrête pas.</b>	Le boyau interrupteur est mal inséré dans la prise d'aspiration.	Débrancher le boyau. Rebrancher en vous assurant qu'il est bien placé dans la prise : que l'onglet sur le boyau est aligné avec les coches de la prise, pour assurer le bon fonctionnement de l'interrupteur sur le boyau.
	Le boyau interrupteur est défectueux.	Si le boyau est bien aligné, et que l'appareil fonctionne malgré que l'interrupteur du boyau est en mode « arrêt » (off), faites vérifier le boyau par un marchand autorisé.
	Les connexions bas voltage sont fautive.	Pendant que l'appareil est en marche, débrancher les fils bas voltage de l'appareil. Si l'appareil cesse de fonctionner, il y a un fil bas voltage défectueux. Veuillez communiquer avec l'installateur ou le marchand autorisé.

**Si malgré cela, votre appareil ne s'arrête toujours pas, veuillez contacter votre centre de service.**

# GARANTIE

## **GARANTIE À VIE — LIMITÉE**

Votre appareil HD CycloVac est protégé par une garantie à vie. Nous vous garantissons que votre aspirateur central sera exempt de tout défaut de matériaux ou de fabrication pour aussi longtemps que vous êtes le propriétaire original de votre appareil. Cette garantie s'applique au corps de l'appareil et n'est pas transférable.

Les moteurs et les composantes électriques sont garantis à 100% pour une période de 950 heures d'utilisation. Le centre de service autorisé réparera ou remplacera (à la discrétion de CycloVac) la ou les pièces défectueuses et ce sans frais de main d'oeuvre en atelier pendant une période de 1 an.

### **Garantie CycloVac Moteurs et composantes électriques**

<b>MODÈLE</b>	<b>PIÈCES</b>	<b>MAIN D'OEUVRE</b>
Série HD	950 heures	1 an

Pour le maintien de votre garantie, le service devra être effectué exclusivement par un marchand autorisé CycloVac utilisant des pièces d'origine CycloVac ou Trovac.

La garantie ne couvre pas : l'usure normale de certaines composantes, les dommages dus (selon CycloVac) à un usage abusif (ex. : poussière de plâtre, eau, etc.), le manque d'entretien adéquat, l'installation inadéquate, la négligence, les désastres naturels, les sinistres et les accidents.

# GARANTIE

---

Cette garantie n'est pas une modification — mais une addition — aux garanties stipulées par une législation civile. **Toute réclamation relative à cette garantie doit être accompagnée de la facture d'achat.** Toute modification apportée aux produits peut invalider la garantie. Les frais de transport et de déplacement ne sont pas couverts par la garantie. Cette garantie n'est pas transférable.

Conservez toutes preuves d'achat (facture, bon de livraison, etc.). La date indiquée sur ces documents établit la période de garantie. Si votre appareil requiert des réparations pendant la période de garantie, vous devrez présenter une preuve d'achat. Si celle-ci ne peut être présentée, la période de garantie sera déterminée selon la date de fabrication du produit.

CycloVac ne sera pas tenu responsable des dommages directs ou indirects causés par l'utilisation de l'appareil.

**LA GARANTIE PEUT VARIER SELON LE PAYS.**

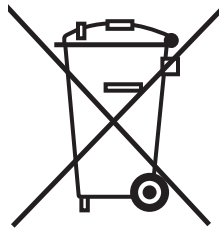
# DIRECTIVE DEEE

Cet appareil est conforme à la directive DEEE (déchets d'équipements électriques et électroniques).

Cette directive entend promouvoir le recyclage des équipements électriques et électroniques (EEE) et inciter le développement de produits adaptés à une valorisation plus efficace en fin de vie.

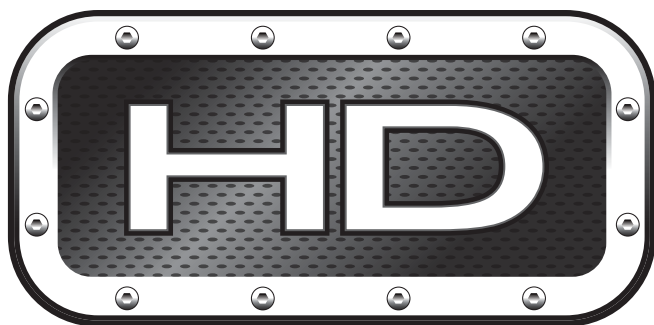
La directive DEEE stipule que le fournisseur d'origine devrait reprendre l'appareil désuet sans frais au consommateur. Veuillez informer le fournisseur de votre désir de faire ramasser l'appareil usagé lorsque vous commandez un appareil de remplacement.

Ne pas jeter l'appareil avec les déchets non triés. Le symbole de la poubelle sur roues sur l'appareil (**figure 22**) désigne cette exigence. Vous devez vous assurer que l'appareil est ramassé, traité et recyclé par une entreprise autorisée. Pour de plus amples informations, communiquez avec votre service de déchets municipal.



**figure 22**





PARA



**CYCLO VAC**

**MANUAL DE INSTRUCCIONES**

Por favor, lea atentamente este documento antes de proceder a la instalación y/o utilización de su sistema de aspiración central.

NO DE SERIE : \_\_\_\_\_



# MEDIDAS DE SEGURIDAD IMPORTANTES

---

La utilización de un aparato eléctrico exige ciertas precauciones.  
Lea atentamente las instrucciones antes de poner en marcha el aparato.

## ADVERTENCIAS

Para reducir el riesgo de incendios, de electrocución o de heridas:

1. No deje el aparato conectado sin vigilancia. Desconecte el aparato cuando no lo esté utilizando, así como antes de limpiarlo.
2. No lo utilice en el exterior ni aspire restos húmedos.
3. Este aparato no está destinado para uso de los niños o de las personas con incapacidad física, sensorial, motriz o intelectual, o de las personas que no tienen los conocimientos y/o la experiencia necesaria a su utilización a menos que estas personas hayan recibido las instrucciones necesarias referente al uso del aparato o que estén al cuidado de una persona responsable de su seguridad.
4. Cuando utilice el aparato, siga siempre nuestras indicaciones.
5. No lo utilice si el cable o el enchufe presentan deficiencias técnicas o se encuentran en mal estado. Es importante enviar el aparato a un centro de servicio CycloVac si no funciona correctamente o si se ha caído o se ha estropeado, olvidado a fuera o sumergido.
6. No arrastre, levante o tire el aparato por el cable. No utilice el cable como asidero, ni lo trabe en el marco de una puerta o contra las aristas vivas o esquinas. Tampoco arrastre el aparato por encima del cable. Mantenga el cable alejado de las superficies calientes.
7. No desconecte el aparato tirando del cable, en su lugar, tire del enchufe para la desconexión.
8. No toque el enchufe o el aparato mientras tenga las manos húmedas.
9. No introduzca ningún objeto en las tomas de aspiración. No utilice el aparato si una toma está bloqueada. Asegúrese de que el polvo, la pelusa, el pelo u otros restos no obstruyan la salida de aire.
10. Mantenga la ropa ancha, los dedos, el pelo y otras partes del cuerpo alejados de las tomas y de las piezas móviles.
11. No aspire materias en combustión que desprendan humo como cigarrillos, cerillas o ceniza caliente.
12. No utilice el aparato si el recuperador de polvo no está correctamente colocado en su lugar.
13. Coloque todos los mandos en la posición APAGADO antes de desconectar el aparato.
14. Sea prudente al limpiar las escaleras.
15. No aspire líquidos inflamables o combustible como gasolina, ni utilice el aparato en aquellos lugares donde se encuentren dichos líquidos.
16. Conecte el aparato exclusivamente a un enchufe con toma de tierra. Por favor, consulte las instrucciones sobre las tomas de tierra.



# ÍNDICE

Prefacio	6
Esquema	6
Instalación del aparato	7
<b>INSTALACIÓN</b>	
Trucos y astucias – Instalación de las tuberías	8
Trucos y astucias – Instalación de las tomas	9
Instalación del silenciador	10
Conexiones electricas	11
Toma de tierra	12
Conexiones de bajo voltaje	13
<b>FUNCIONAMIENTO</b>	
Puesta en marcha	14
Arranque progresivo	15
Parada automática	15
Centro de información	15
<b>MANTENIMIENTO</b>	
Filtro para polvo de carbono	16
Motor	17
<b>REPARACIÓN</b>	
Informaciones generales	17
Disminución de la fuerza de aspiración	18
El aparato no se enciende.	20
El equipo no se apaga.	21
<b>GARANTIA</b>	
Garantía de por vida— limitada	22
Directiva DEEE	24

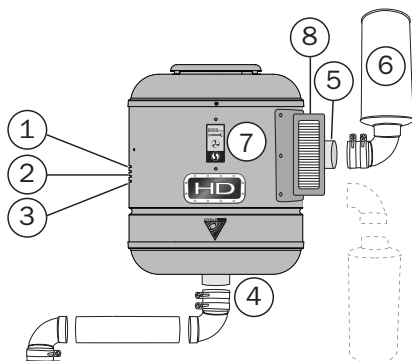
# PREFACIO

Su aparato Cyclo Vac ha sido concebido y fabricado en Blainville, provincia de Quebec, por el mejor fabricante de aspiradores centrales de Canadá. Nuestros 50 años de experiencia en este terreno nos permiten ofrecerles un producto de alta calidad, una tecnología de punta, así como la garantía de una entera satisfacción. Gracias a una red de profesionales, altamente cualificados para ofrecerles un buen servicio, estamos siempre a su disposición, cerca de su domicilio. No dude en contactar con nosotros si lo necesita para conocer los centros de servicio autorizados de su región o localidad.

## ESQUEMA

### MODELOS HD

1. Disyuntor - Puesta en marcha
2. Conector de bajo voltaje y DEL
3. Número de serie
4. Entrada de aire
5. Salida de aire
6. Silenciador (en opción)
7. Centro de información
8. Filtro para polvo de carbon



\* Debe estar conectado a un recuperador de polvo.



# INSTALACIÓN DEL APARATO

Con ayuda de la placa de montaje incluida con nuestro aparato, fije su unidad a la pared (**figura 1**).

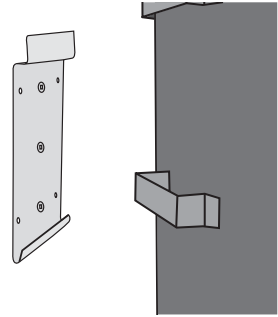


figure 1

Las conexiones al recuperador de polvo sólo requieren algunas herramientas de base: una caja de ingletes y un pequeño serrucho (o sierra de hoja ancha) o un corta-conductos (**figura 2**).

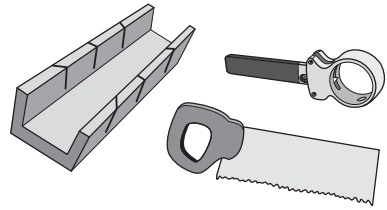


figure 2

A la diferencia de las demás juntas de tubería (salvo que las entre el recuperador y las tuberías), **no pegue permanentemente el último palme entre el aparato y el recuperador**. Los aparatos Cyclo Vac están provistos de un empalme de entrada de aire ajustable (**figura 3**) que asegura la impermeabilidad necesaria para un buen funcionamiento del aparato.

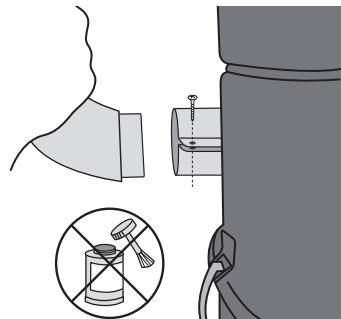
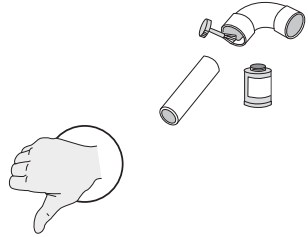
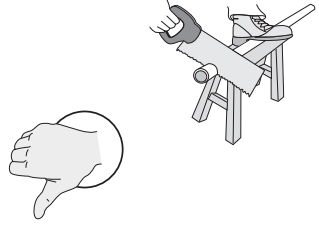
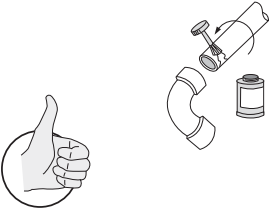
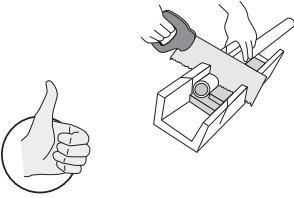


figure 3

# TRUCOS Y ASTUCIAS

## INSTALACIÓN DE LAS TUBERÍAS

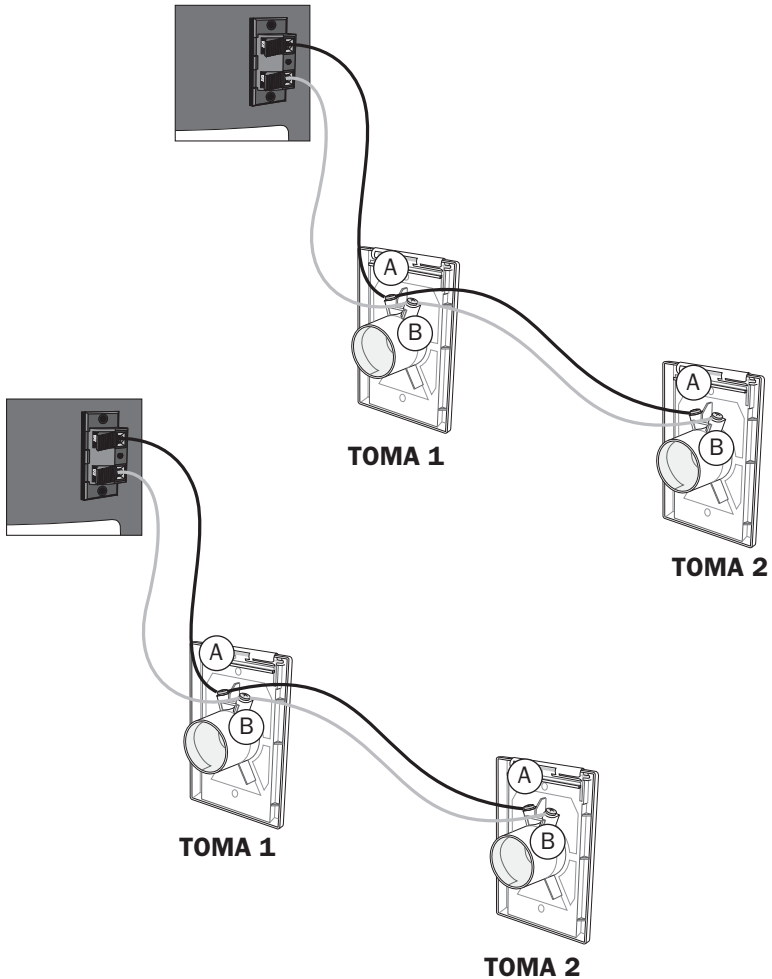




# TRUCOS Y ASTUCIAS

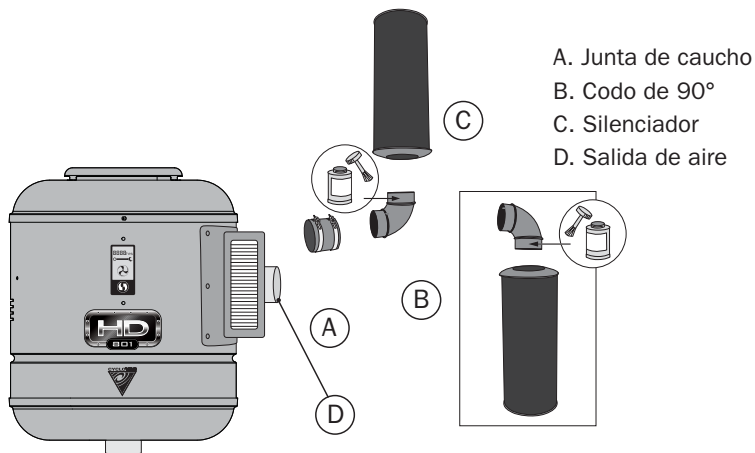
## INSTALACIÓN DE LAS TOMAS

Le recomendamos que respete el principio de polaridad eléctrica a la hora de instalar las tomas murales. Compruebe que el cable conectado en el borne A de la toma 1 es el mismo que el conectado en el borne A de la toma 2 y así sucesivamente. No invierta los cables.



## INSTALACIÓN DEL SILENCIADOR

1. Introduzca la junta de caucho en la salida de aire.
2. Con la ayuda de un destornillador Phillips (estrella), atornille el collar de fijación que se encuentra en junta de caucho para asegurar la impermeabilidad.
3. Introduzca el codo de 90° en la junta de caucho y atornille la abrazadera siguiendo las indicaciones del apartado anterior.
4. Aplicar pegamento ABS al codo 90° e introducir el silenciador.



Pegamento no incluido.

# CONEXIONES ELECTRICAS

El aparato deberá instalarse a menos de un metro de una toma eléctrica. Una vez que se ha elegido un lugar propicio, conecte su aparato a la **toma en un circuito eléctrico dedicado\* con toma de tierra**. No utilice ninguna extensión eléctrica ni modifique la extensión del cable de su aparato.

## **CIRCUITO ELÉCTRICO DEDICADO\* CON TOMA DE TIERRA**

- **América del Norte**  
120V / modelos 800 y 801 : 15 A
- **Europa y otros países**  
220V / 240V modelos 850 y 851: 10 A

Su aparato está provisto de una protección térmica o de un disyuntor que lo protege contra todo exceso de voltaje o defecto eléctrico. Si el disyuntor está defectuoso, póngase en contacto con su centro de servicio autorizado.

\* Prever un disyuntor reservado únicamente para el enchufe de su aparato.

***Si considera que la instalación de su equipo resulta demasiado complicada, pida a su centro de servicio que realice la instalación en su lugar. En caso de duda, es conveniente recurrir a los servicios de un profesional y asegurarse de que la instalación se lleva a cabo correctamente ya que una instalación no conforme a las normas especificadas podría modificar o anular la garantía.***

# TOMA DE TIERRA

Este aparato debe conectarse a una toma de tierra. En caso de fallo o de avería, la toma de tierra proporciona a la corriente un camino de menor resistencia lo que reduce el riesgo de electrocución. Este aparato está provisto de un cable que posee un conductor de tierra y de un enchufe macho con toma de tierra. El enchufe debe conectarse a una toma apropiada correctamente instalada y conectada a tierra conforme a las regulaciones y ordenanzas locales. No debe utilizar ningún adaptador con este aparato.

## AVISO

Un conductor de tierra mal enchufado puede crear un riesgo de choque eléctrico. Consulte a un electricista o a un técnico de mantenimiento cualificado si no está seguro de que la toma está correctamente conectada a tierra. No modifique el enchufe provisto con el equipo. Si éste no se adaptara a la toma, pídale a un electricista cualificado que le instale una toma adecuada.

### **MODELOS 120V**

Este aparato está diseñado para un circuito de 120V y está provisto de un enchufe de toma de tierra similar al que se ilustra en el croquis anterior. Asegúrese de que el aparato está conectado a una toma que tenga la misma configuración que el enchufe. No debe utilizar ningún adaptador con este aparato.

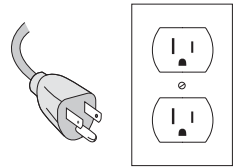
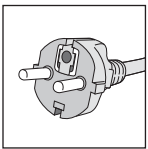


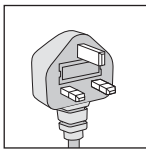
figura 4

### **MODELOS 220V/240V**

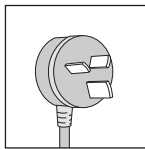
Este aparato está diseñado para un circuito de más de 120V, y viene provisto, de fábrica, de un cable y de un enchufe específicos que van a permitir su conexión a un circuito eléctrico apropiado. Asegúrese de que el aparato está conectado a una toma que presente la misma configuración que el enchufe. No debe utilizar ningún adaptador con este aparato. Si fuera necesario modificar las conexiones del equipo para adaptarlas a una alimentación eléctrica de otro tipo, la modificación deberá llevarla a cabo un técnico de mantenimiento cualificado.



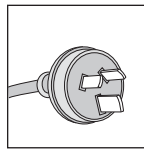
Typo C



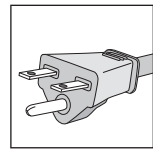
Typo G



Typo H



Typo I



Nema 6-15 R

# CONEXIONES DE BAJO VOLTAJE

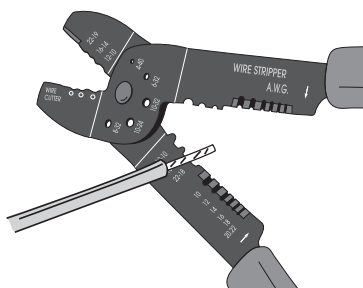
Conecte las líneas de bajo voltaje a los bornes de su aparato.

Para hacerlo:

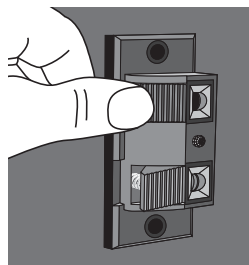
1. Quite la funda del cable a una longitud de 0.5 cm ( $\frac{1}{2}$ " ) (**figura 5**).
2. Presione ligeramente el botón pulsador para abrir el borne (**figura 6**).
3. Inserte el cable pelado.
4. Suelte el botón pulsador para fijar el cable en el borne (**figura 8**).
5. Repítalo para el segundo borne.

Para desconectar:

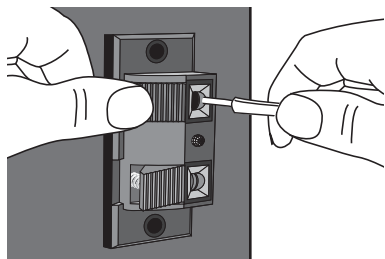
1. Presione suavemente el botón pulsador para abrir el borne.
2. Retire el cable de bajo voltaje del borne.



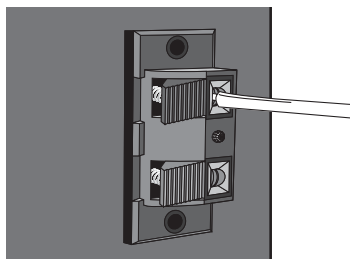
**figura 5**



**figura 6**



**figura 7**



**figura 8**

# PUESTA EN MARCHA

## **Antes de utilizar su aparato HD:**

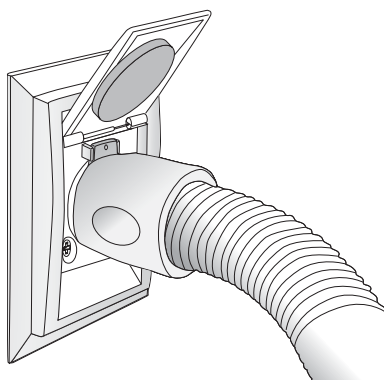
Verifique que éste se encuentra bien conectado al recuperador de polvo, y que el recuperador se encuentra bien conectado a la red de tuberías. Verifique también que el aparato se encuentra bien conectado a una toma de tierra y que los cables de bajo voltaje se encuentran bien introducidos dentro de los conectadores. Le aconsejamos que lea el manual de instrucciones al completo y que luego proceda a una verificación de la instalación:

- . Asegúrese de que el recuperador de polvo se encuentra intacto e instalado adecuadamente.

Para poner en marcha su aparato, sólo tiene que introducir la manguera en la toma de aspiración que usted elija. Asegúrese de que el inglete de la manguera se encuentra bien alineado entre las muescas de la toma de aspiración (**figura 9**). Si su manguera está provista de un interruptor, sólo tiene que encenderlo.

- . Verifique las juntas de estanqueidad de cada toma de aspiración.
- . Conecte la manguera en cada toma de forma alternativa para asegurarse del buen funcionamiento.
- . Mientras la manguera está conectada a una toma y que el sistema está en funcionamiento, verifique las demás tomas para asegurarse de su hermetismo.

**No trate de abrir otra toma de aspiración cuando el aparato esté funcionando. Esta maniobra podría dañar la junta de estanqueidad de la toma.**



**figura 9**

## ARRANQUE PROGRESIVO

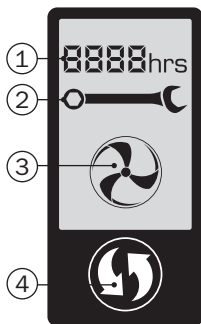
Su aparato se encuentra provisto de un módulo electrónico que permite el arranque progresivo del aparato, lo cual favorece la duración de vida del motor.

## PARADA AUTOMÁTICA

Si el aparato sigue funcionando por error o por olvido, éste se apagará al cabo de una hora de utilización ininterrumpida.

## CENTRO DE INFORMACIÓN

El aparato consta de un minuterero electrónico que le indicará como realizar el mantenimiento de su aparato. Esta indicación es simplemente informativa y no señala que hay un problema con el aparato. Su aparato funcionará con total normalidad a pesar de la luz parpadeante.



- ① **Horas de funcionamiento** del aparato
- ② **Llave inglesa parpadeante** – Lleve el aparato a un servicio técnico autorizado para que lo revisen dentro de los siguientes 200 horas de funcionamiento
- ③ **Turbina** – Sin movimiento- el aparato está bajo tensión  
En movimiento – El aparato está funcionando
- ④ Para parar el parpadeo, presione el botón de reset durante un segundo.

### **MODO DEMO**

Para salir del modo demo, presione simplemente el botón Reset ④ durante 5 segundos. Modo demo: Para acceder al modo demo del monitor integrado del aparato, presione el botón Reset ④.

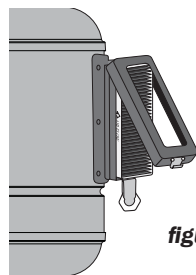
# FILTRO PARA POLVO DE CARBONO

(PATENTADO)

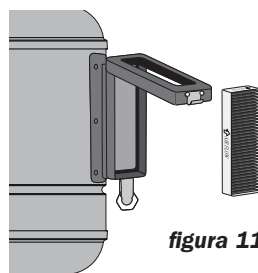
Le recomendamos que cambie el filtro para polvo de carbono después de 45 horas de uso.

Para cambiar el filtro:

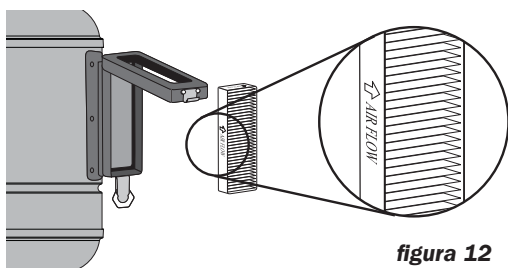
1. Suelte el enganche que se encuentra bajo el cajetín del filtro de carbono, y abra el cajetín (**figura 10**).
2. Retire el filtro rectangular usado, y tírelo (**figura 11**).
3. Inserte el nuevo filtro. Asegúrese que la flecha impresa sobre el filtro está dirigida hacia el exterior (**figura 12**).
4. Vuelva a cerrar la caja y los enganches.



**figura 10**



**figura 11**



**figura 12**

No de pieza : **TDFILHEC2**



**Los motores Cyclo Vac no necesitan ningún tipo de lubricación.** Cada motor está provisto de dos cepillos de carbón que se desgastarán normalmente y que podrían necesitar ser reemplazados. Para que su garantía siga siendo válida, este trabajo deberá efectuarse en un centro de servicio autorizado. La duración de los cepillos (carbón) depende de varios factores: la frecuencia de los apagados/encendidos, la humedad, la altura y la temperatura ambiente. Les cepillos de carbón deberán cambiarse antes de que el desgaste llegue a estropear el motor. Le aconsejamos que lleve su aparato a un centro de servicio cada 5 o 6 años para que lo revisen.

## INFORMACIONES GENERALES

---

---

Si su aparato HD no funciona, verifique el fusible o el disyuntor del aparato y/o de la caja eléctrica de su casa. Si es necesario, reemplace el elemento defectuoso. Asegúrese de que el aparato ha sido instalado adecuadamente, según las instrucciones del manual de instalación.

Su sistema de aspiración ha sido concebido para recoger materias secas (polvo) cada día. Ha sido aprobado por la agencia de certificación para uso en seco exclusivamente. No lo utilice en superficies mojadas.

No es nada aconsejable aspirar materias abrasivas (polvo de yeso, cemento...) ya que pueden infiltrarse en el motor y llegar a dañarlo. Si usted lo hiciera por descuido, consulte con su centro de servicio con el objetivo de asegurarse de la magnitud del daño ocasionado.

**Para mantener la validez de su garantía, todas las reparaciones o recambios deberán realizarse en un centro de servicio autorizado, con piezas exclusivas de Cyclo Vac o Trovac.**

# REPARACIÓN

<b>PROBLEMA</b>	<b>POSIBLE CAUSA</b>	<b>REPARACIÓN</b>
<b>Disminución de la fuerza de aspiración</b>	Una toma de aspiración está abierta.	Cierre todas las tomas de aspiración que no esté utilizando.
	La salida de aire está obstruida.	Verifique la salida de aire (el silenciador) y asegúrese de que está bien despejada.
	La manguera está obstruida.	Introduzca la terminación de la empuñadura en la toma de aspiración para invertir la succión en la manguera. Cubra bien la apertura alrededor de la terminación para asegurar el hermetismo conveniente, y asegúrese de que la terminación toca los contactos de la toma para poner en marcha el aparato y así desbloquear la manguera.

# REPARACIÓN

<b>PROBLEMA</b>	<b>POSIBLE CAUSA</b>	<b>REPARACIÓN</b>
<b>Disminución de la fuerza de aspiración (continuación)</b>	Obstrucción del sistema de conductos.	Retire el tornillo del empalme de la entrada de aire del aparato HD y retire la conexión del recuperador de polvo y del sistema de conductos. Encienda el aparato conectando su manguera a una toma de aspiración. Coloque su mano extendida sobre la apertura de la entrada de aire y verifique la fuerza de aspiración en la base del aparato. Repita estos pasos al desconectar el recuperador de polvo del sistema de conductos (asegúrese de que el recuperador está conectado al aparato). Si la fuerza de aspiración es normal, la obstrucción se encontrará en algún sitio de los conductos. Si ésta ha disminuido o no existe, lleve su aparato por un centro de servicio autorizado

**Si ninguna de estas medidas logra restablecer la fuerza de aspiración consulte su centro de servicio.**

# REPARACIÓN

PROBLEMA	POSIBLE CAUSA	REPARACIÓN
<b>El aparato no se enciende.</b>	La conexión eléctrica está defectuosa.	Asegúrese de que el cable eléctrico está enchufado a una toma conectada a tierra, en un circuito dedicado (según las instrucciones de la página 12).
	La conexión de bajo voltaje está defectuosa.	Verifique que las líneas de bajo voltaje están bien insertadas en las terminales, según las instrucciones de las página 13.
	Una toma de aspiración está defectuosa.	Pruebe el aparato en otras tomas de la casa, para poder aislar la toma defectuosa.
	El disyuntor del aparato está abierto.	Apriete el botón de puesta en marcha. Si el aparato se enciende, pero luego se apaga automáticamente, póngase en contacto con su centro de servicio.
	El disyuntor de su residencia se encuentra abierto.	Vuelva a poner el disyuntor en funcionamiento. Verifique que el aparato esté bien conectado en un circuito dedicado, según las instrucciones de la página 12.
	La manguera con interruptor está defectuosa.	Gire la manguera de $\frac{1}{4}$ de vuelta en la toma de aspiración. Si el aparato se enciende, lleve la manguera a un centro de servicio autorizado para que se la revisen.

**Si ninguna de estas medidas logra poner en marcha el aparato, consulte su centro de servicio.**

## REPARACIÓN

PROBLEMA	POSIBLE CAUSA	REPARACIÓN
<b>El equipo no se apaga.</b>	La manguera con interruptor está mal insertada en la toma de aspiración.	Desenchufe la manguera. Vuelva a conectarla asegurándose de que está colocada adecuadamente en la toma: que el inglete de la manguera está alineado con la escotadura de la toma para asegurar el buen funcionamiento del interruptor de la manguera.
	La manguera con interruptor está defectuosa.	Si la manguera se encuentra bien alineada y que el aparato funciona a pesar de que el interruptor esté en el modo «apagado» (off), lleve la manguera a un centro de servicio autorizado.
	Las conexiones de bajo voltaje se encuentran defectuosas.	Con el aparato en marcha, desconecte los cables de bajo voltaje. Si el aparato deja de funcionar, esto significa que los cables de bajo voltaje se encuentran defectuosos. Consulte con el instalador o con el centro de servicio autorizado.

**Si su aparato sigue sin apagarse, contacte con su centro de servicio.**

# GARANTIA

## **GARANTÍA DE POR VIDA— LIMITADA**

El aparato HD Cyclo Vac está protegido por una garantía de por vida. Nosotros le garantizamos que su aspirador central estará exento de cualquier defecto ya sea material o de fabricación mientras usted sea el propietario original de su equipo. Esta garantía se aplica al cuerpo del aparato y no es transferible

Los motores y componentes eléctricos están garantizados 100% durante un período de 950 horas. El centro de servicio autorizado reparará o reemplazará (a discreción de Cyclo Vac) la o las piezas defectuosas sin gastos de mano de obra en taller durante un período de 1 año.

### **Garantía Cyclo Vac Motores y componentes eléctricos**

<b>MODELO</b>	<b>PIEZA</b>	<b>MANO DE OBRA</b>
Serie HD	950 horas	1 año

Para mantener la validez de su garantía, el servicio deberá efectuarse exclusivamente en un centro de servicio autorizado Cyclo Vac utilizando piezas originales de Cyclo Vac o Trovac. La garantía no cubre: el desgaste normal de ciertos componentes, los daños debidos (según considere Cyclo Vac) al uso abusivo (por ejemplo polvo de yeso, agua etc.), la falta de mantenimiento adecuado, la instalación inadecuada, la negligencia, los desastres naturales, los siniestros y los accidentes.

# GARANTIA

---

Está garantía no es una modificación – si no una adición – a las garantías estipuladas por la legislación civil. **Cualquier reclamación relativa a esta garantía debe ir acompañada de la factura de compra.** Cualquier modificación hecha a dicho producto puede invalidar la garantía. Los gastos de transporte y desplazamiento no están cubiertos por la garantía. Esta garantía no es transferible.

Conserve todas las pruebas de compra (factura, recibo, etc.). La fecha indicada en dichos documentos establece el periodo de la garantía. Si su aparato requiere de reparaciones durante el periodo de garantía, debe presentar una prueba de compra. Si ésta no puede ser presentada, el periodo de garantía será determinado a partir de la fecha de fabricación del producto.

Cyclo Vac no se hace responsable de los daños directos o indirectos causados por la utilización del aparato de aspiración central.

**LA GARANTÍA PUEDE VARIAR POR PAÍS.**

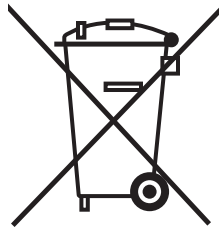
# DIRECTIVA DEEE

Este aparato está conforme con la Directiva DEEE (Desechos de Equipamientos Eléctricos y Electrónicos).

Esta Directiva tiene como objetivo promover el reciclaje de los equipamientos eléctricos y electrónicos (EEE) así que incitar el desarrollo de productos adaptados a un tratamiento y a una valorización más eficaz en finalización de vida.

La directiva DEEE estipula que el proveedor de origen debe recoger el aparato a reciclar sin coste alguno para el consumidor. Al pedir un aparato nuevo a su proveedor, Usted le informa también su deseo de que recoja el aparato antiguo.

El símbolo de la basura con ruedas pegado en el aparato (**figura 22**) significa que no hay que echar a la basura el aparato con los desechos que no han sido separados. Tiene Usted que asegurarse que el aparato va a ser recogido, tratado y reciclado por una empresa autorizada. Para más amplia información, no dude en contactar con el departamento encargado de los desechos en su municipio.



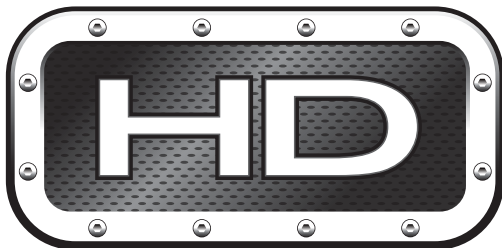
**figura 22**











**CYCLO VAC**



**WWW.CYCLOVAC.COM**

**Head Office / Siège social / Oficina Central**

**CANADA**

3, rue Marcel-Ayotte  
Blainville (Québec) J7C 5L7

Tel. : (450) 434-2233 • Fax : (450) 434-6111

info@cyclovac.com  
1 888 77CYCLO

**Distribution Centers / Centres de distribution / Centros de distribución**

**EUROPE**

16, rue du Stade  
44170 Treffieux France

Tel. : + 33 (0) 2 40 51 44 60 • Fax : + 33 (0) 2 40 51 42 24

info@cyclovac.eu  
N° vert: 0800 800 393



3123039